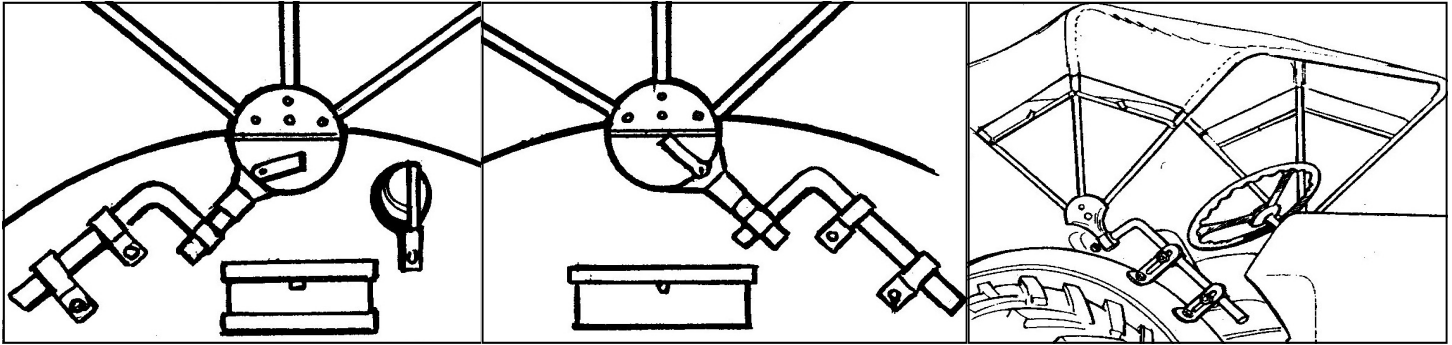
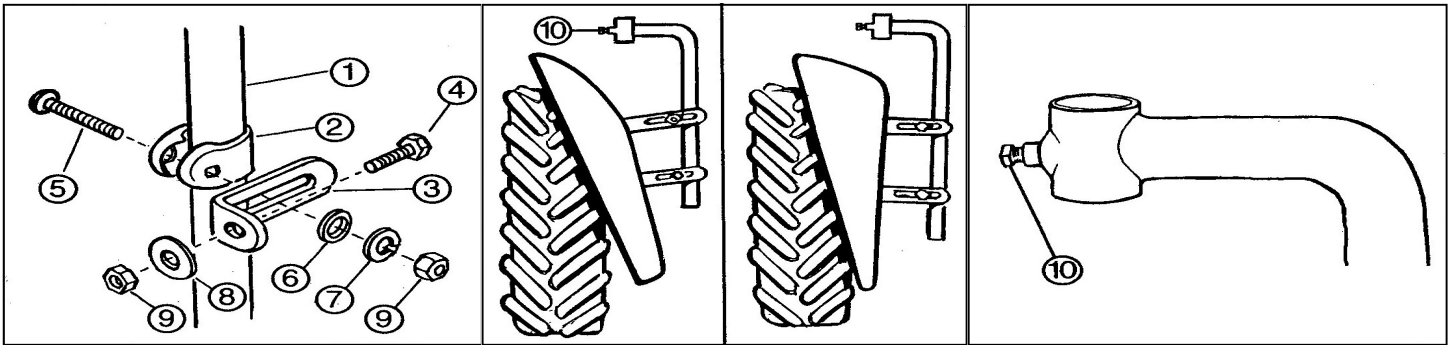




Assembly Instructions and Repair Parts List for UNIVERSAL TRACTOR SUNSHADE BTB-4 Fender Mount



MOUNTING ON FENDER WHERE OBSTRUCTION EXISTS



MOUNTING BRACKET ASSEMBLY

MOUNTING ON TILTED FENDERS

SUPPORT TUBE

Parts List - Fender Mount Kit

Ill. No.	Part No.	Description	Qty.
1	405343	Tube, Fender Mounting	2
2	405204	Clamp, Plain	4
3	405345	Bracket, Tube Support	4
4	490881	Screw, Hex Hd. Cap NC - 3/8" x 1"	4
5	490242	Bolt, 3/8" x 2 1/4" Carriage, Grade 2	4
6	491061	Washer, Flat - 3/8"	4
7	491071	Washer, 3/8" Lock, Medium	8
8	491095	Washer, 1 1/2" O.D. x 13/32" I.D. x 11 Ga.	4
9	491003	Nut, Hex - 3/8" - NC	8
10	490503	Screw, Set - 3/8" x 3/4"- Sq. Head	2

Assembly Instructions

- To install fender mount, drill 12/32" holes in fender at desired position so that the support tubes are on 38" to 42" centers and buggy top is centered over seat.
- Secure assembly to fender using (#4) 3/8" x 1" cap screw with the (#8) 1/8" thick washer and (#9) nut on back side of fender as illustrated. Support tubes may be adjusted to desired height and turned 38" to 42" centers.
- Slip assembled buggy top into support tubes and lock assembly with the (#10) set screw.



General Offices
1132 West 1st
McPherson, KS 67460
Phone: 1-800-677-0898
Fax: (620) 241-3532

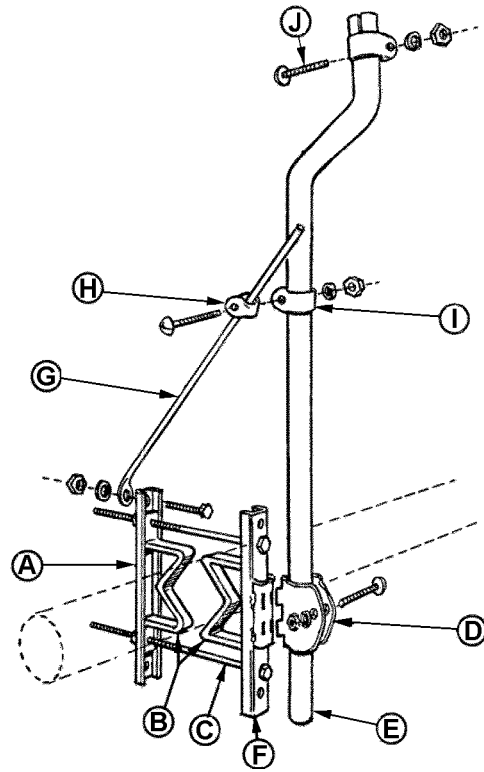


UNIVERSAL TRACTOR SUNSHADE BTB-2 AXLE MOUNT

Assemble Axle Mount Bracket

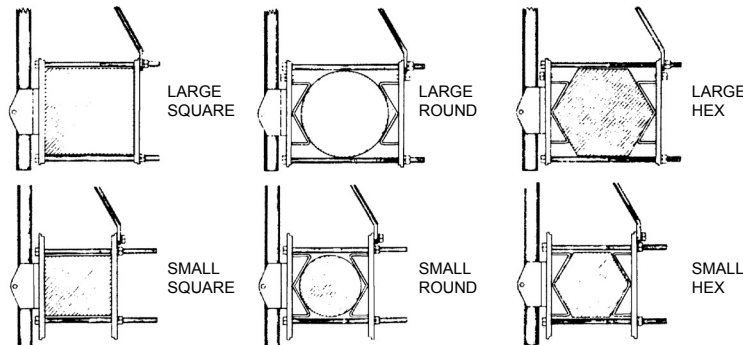
NOTE: Adapters not used with square axles.

1. Position bracket channels (A) (with adapters (B) for round and hexagonal axles only) around axle at approximate desired distance from tractor centerline. Install with 11 in. bolts (C), lock washers and nuts.
2. Install wing clamp (D) to support tube (E) with 2-1/4 in. carriage bolt, lock washer and nut, and install assembly onto wing clamp bracket (F). Swivel support tubes to obtain 38" to 42" centers. Support tubes may be cut if too long for application.
3. Install support rod (G) loosely to mounting channel with 1-1/4 in. bolt, lock washer and nut.
4. Install support rod to support tube with 2-1/2 carriage bolt through rod clamp (H) and tube clamp (I). Tighten rod hardware at clamp and at bracket channel.
5. Repeat steps 1-4 on other side of axle.
6. Insert sunshade assembly into support tubes, and fasten each with 2-1/4 in. carriage bolt (J) through clamp, lock washer and nut. Dimple on clamp must be in slot at top of tube.



Axle Mount

- A—Bracket Channel
- B—Adapters
- C—11 in. Bolt
- D—Wing Clamp
- E—Support Tube
- F—Wing Clamp Bracket
- G—Support Rod
- H—Rod Clamp
- I—Tube Clamp
- J—2-1/4 in. Carriage Bolt



1132 West 1st
McPherson, KS 67460
Phone 620-241-3513
Fax 620-241-3532
Toll Free 1-800-677-0898